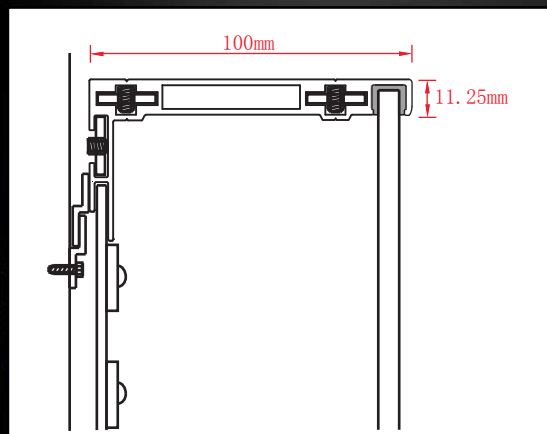


LED Light Frame



LED Light Frame

The 'LED Light Frame' is a refined proprietary design from NES Lightline.

6-8mm toughened low iron glass is clamped on all 4 sides within a single piece, extruded aluminium profile.

The glass is supported with a white plastic kada. This both cushions and isolates the glass.

On the internal face of the glass a diffused vinyl layer provides diffusion for the LED illumination.

In the back of the Light Box unit a Matrix LED Light Panels is fitted.

This features lensed LED backlighting modules in a linear array.

The evenness of illumination is calibrated for the depth of the unit within a measured tolerance.

Luminaire Specification:

LED: Osram Duris 2835 SMD chip

180 degree lenses

Expected lifetime: 50,000 hours (at 70% brightness)

Colour temperature: 4,00 kelvin

Chromaticity control standard: "3-Step MacAdam ellipses"

Efficacy: 111 Lumens per watt (pre diffusion)

CRI: 80+

Estimated Lumens per sq. m: 18,000 Lumens (pre-diffusion).

N E S L I G H T L I N E

T/ 01206 843 200

E/ info@nes-solutions.co.uk

W/ nes-solutions.co.uk/lightline